

CB15 Datasheet

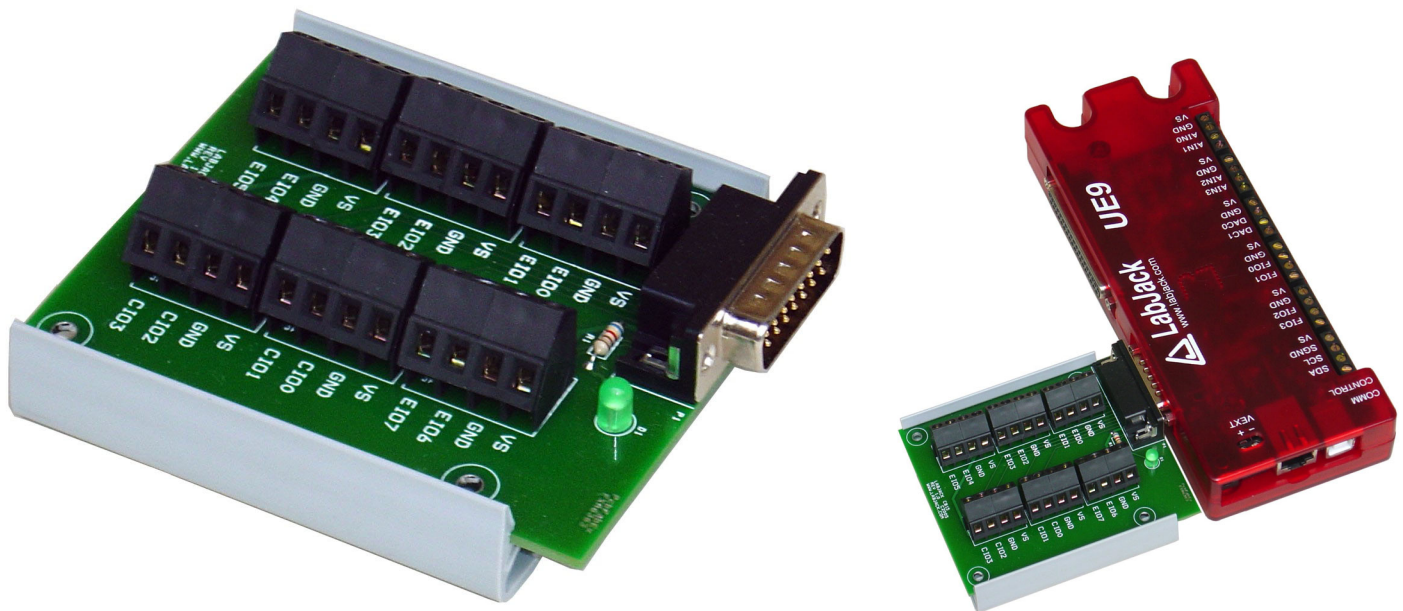
9/28/2005, Revision 1.0

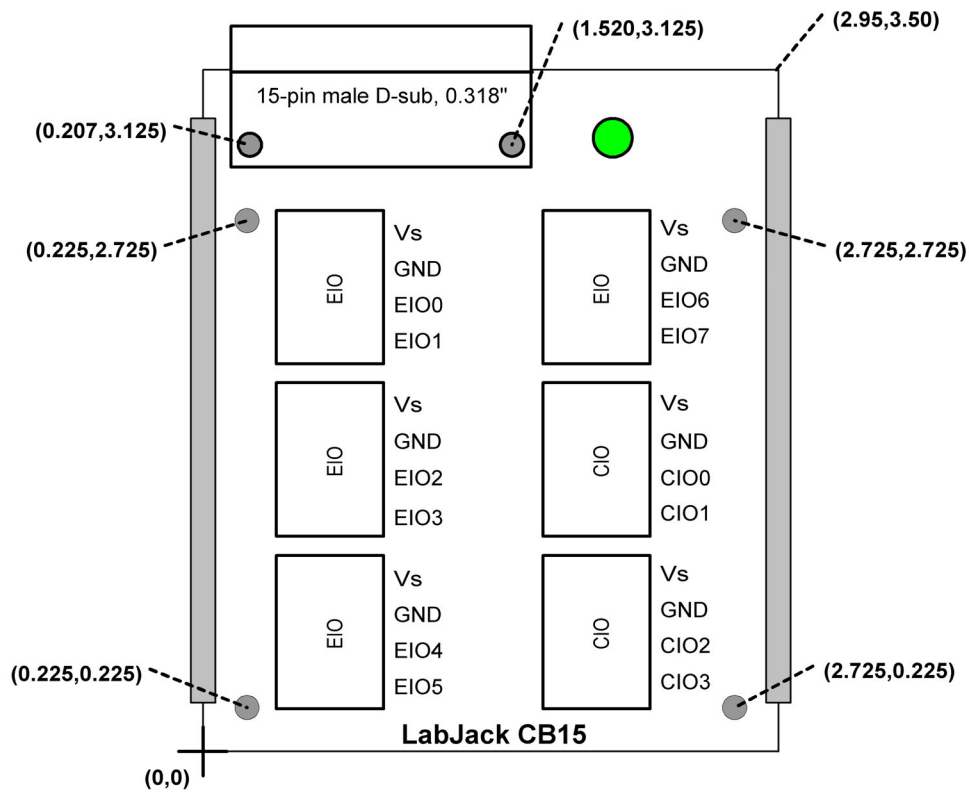
The CB15 terminal board connects to the DB15 connector on applicable LabJacks (not the U12). It provides convenient screw terminal access to the 12 digital I/O available on the DB15 connector. The CB15 is designed to connect directly to the LabJack, or can connect via a standard 15-line 1:1 male-female DB15 cable (not included).

The green LED on the CB15 is directly powered by the 5-volt supply (Vs) from the LabJack, so it should be lit whenever the CB15 is connected to a powered LabJack.

The CB15 PCB is mounted to a piece of Snaptrack. The Snaptrack is DIN rail mountable using Tyco part # TKAD (not included).

For more information about the I/O lines, see the User's Guide for the applicable LabJack.





Declaration of Conformity

Manufacturers Name: LabJack Corporation
Manufacturers Address: 13701 W Jewell Ave, STE 284, Lakewood, CO 80228, USA

Declares that the product

Product Name: CB15 Terminal Board
 Model Number: CB15

conforms to the following Product Specifications:

EMC Directive: 89/336/EEC

EN 55011 Class A
 EN 61326-1: General Requirements